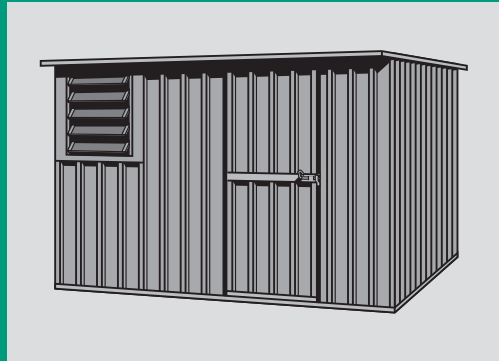


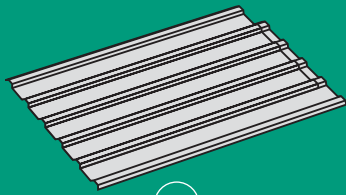
Flat Roof Model
QUALITY GARDEN SHED



*Easy***SHED**[®]
5 Step Assembly

Compact sheds offering secure and affordable storage solutions
Model 1.50m x 1.50m x 1.82m

COMPONENT CHECK LIST - EasySHED



(A)
8x Plain Sheets (Step 1 2 3)
 780 x 1800mm * # •

(B)
1x Door Sheet (Step 4A)
 780 x 1740mm *

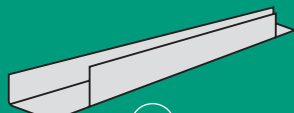


(C)
6x U Channel (Step 2 3)
 1510mm long

(D)
2x U Channel (Step 4A)
 780mm long

(E)
1x U Channel (Step 4A)
 1740mm long *

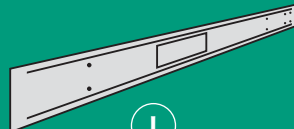
(F)
2x Door Space Channel
 793mm long • (Step 5)



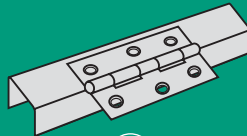
(G)
4x Cut-out Channel
 1510mm long (Steps 1 & 5)



(H)
2x L Flashing (Step 3)
 1800mm long



(I)
1x Door Strap (Step 4A)
 780mm wide



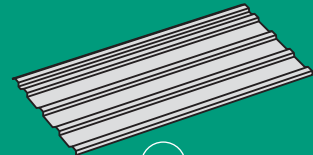
(J)
1x U Channel with Hinges
 1740mm long * (Step 4A)



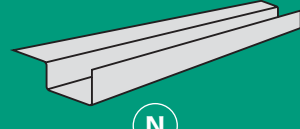
(K)
2x Door Brace (Step 4B)
 1880mm long *



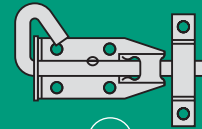
(L)
1x Z Door Jamb (Step 4B)
 1800mm long *



(M)
1x Narrow Sheet (Step 4B)
 700 x 1800mm * •



(N)
1x Corner Door Jamb
 1800mm long * (Step 5)



(O)
1x Padbolt & Hasp (Step 5)
 To secure the door ‡



(P)
1x Fixing Pack (Steps 1-5)
 3.2mm pop rivets can be used

OPTIONAL EXTRAS

Refer to separate instructions for component list and installation sequence.

* Sheet and Channel height will vary with Extra Height option

1x(A) cut out for Window option • Sliding Door option 1x(A) replaces (M), 690mm (F)

1x Fibreglass Sheet replacement with Skylight option

‡ Replaced by optional Lock

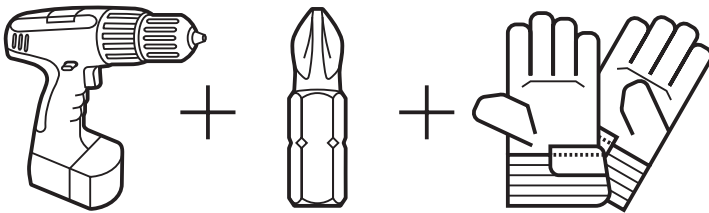
EasySHED[®]

5 Step Assembly

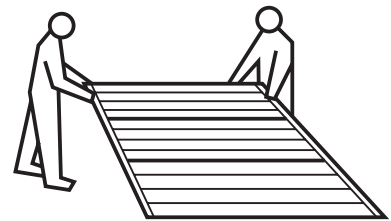
Method of Assembly for 1.50m x 1.50m x 1.82m Flat Roof Shed.

This Flat Roof Shed is made up of five (5) modular panels - Front, Back, Roof and two (2) Side Wall panels. Each modular panel is assembled by fixing the components supplied as per the drawings and instructions. Complete the assembly of the five modular panels before beginning the installation of your shed.

Optional Extras. If your EasySHED includes one or more optional extras, refer to the separate EasySHED Optional Extra Instructions for the installation sequence.



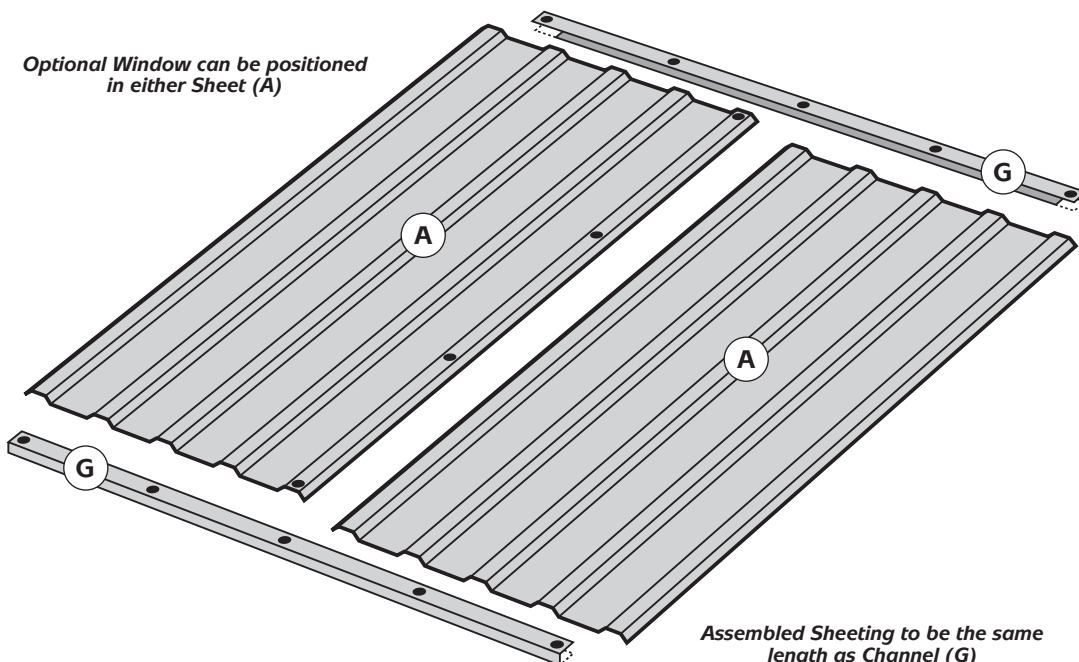
The only tool required for assembling your EasySHED is a Power Drill with Phillips Head attachment. Safety Gloves are recommended.



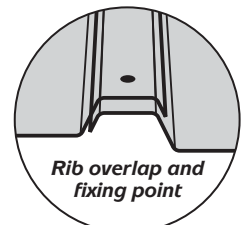
Two people are recommended when handling the panels and some fixing operations.

1 Back Panel Assembly

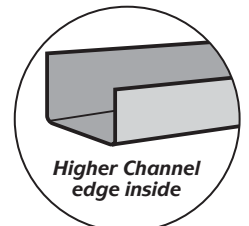
Optional Window can be positioned in either Sheet (A)



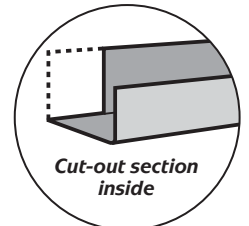
Assembled Sheeting to be the same length as Channel (G)



Rib overlap and fixing point



Higher Channel edge inside



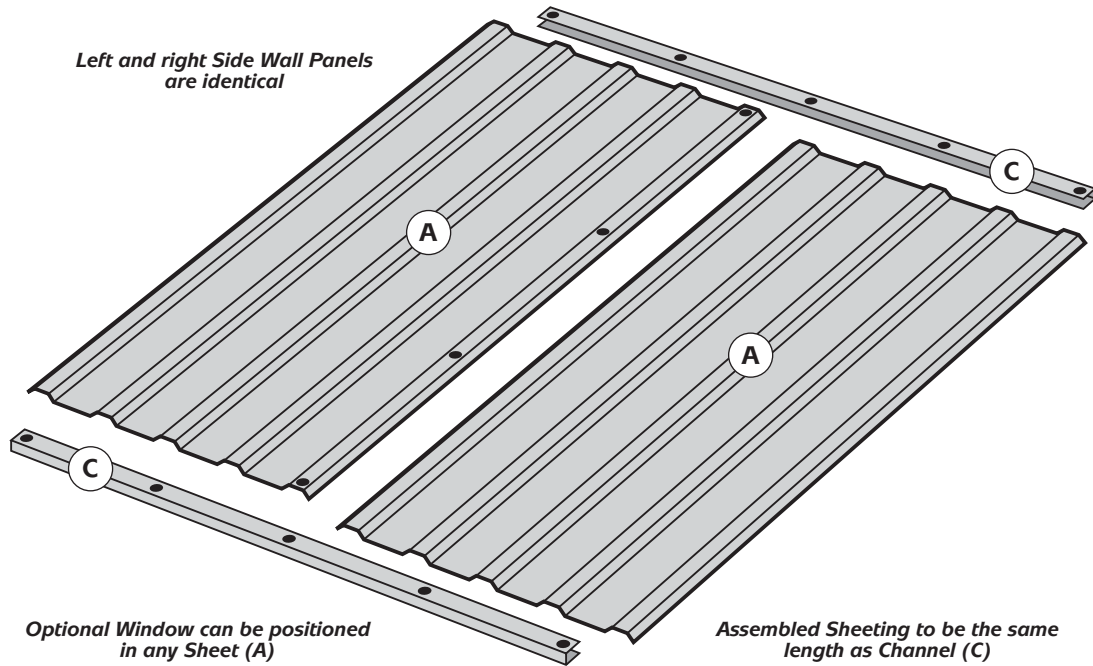
Cut-out section inside

Note: Do not attempt to assemble your shed in windy weather because of risk of damage to panels, or personal injury. When installed, the ribs of sheeting face outward for all panels. Pre-drilling not required when using self-tapping screws supplied.

Back Panel Components • 2x Plain Sheets (A) 780mm x 1800mm • 2x Cut-out Channel (G) 1510mm long

Step 1 Overlap one rib of each Sheet (A). Fix at four points. **Step 2** Position Channel (G) on the top of the Sheeting with the cut-out sections on the inside. Fix at the corners and at every second rib. Repeat for the bottom Channel (G).

2 Assembly Side Panels x2

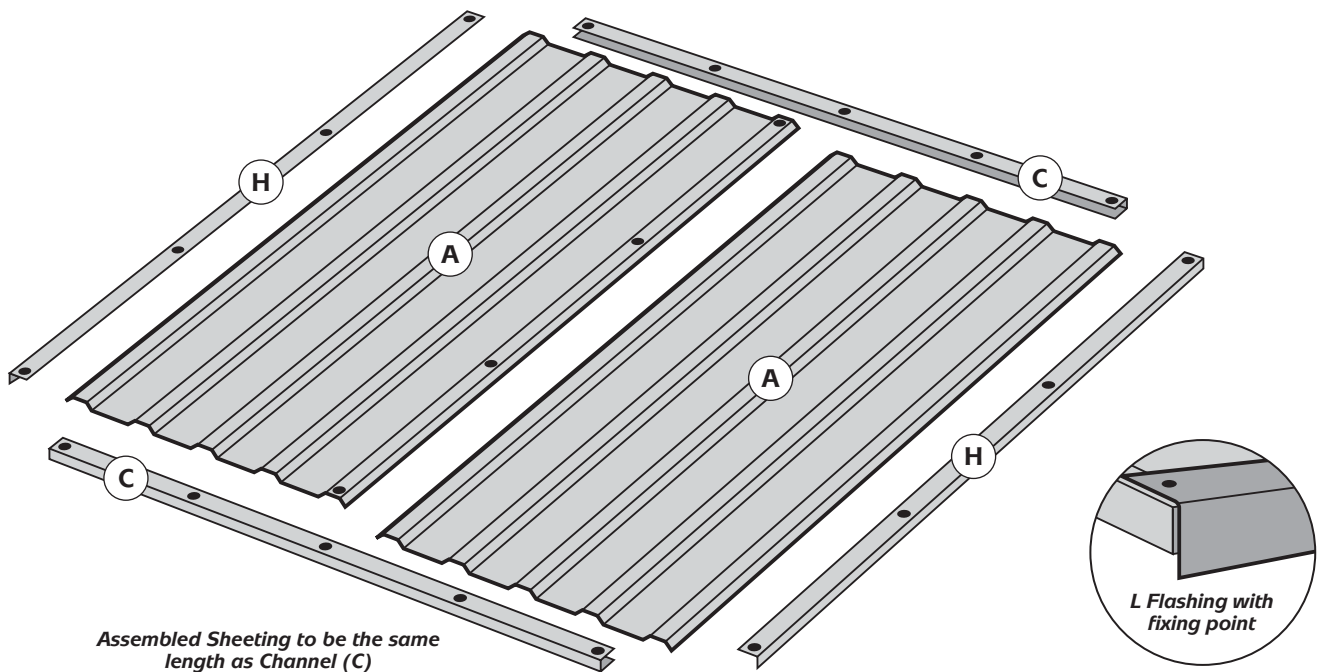


Side Panel Components • 4x Plain Sheets (A) 780 x 1800mm • 4x U Channel (C) 1510mm long
Components per side • 2x Plain Sheets (A) 780 x 1800mm • 2x U Channel (C) 1510mm long

Step 1 Overlap one rib of each Plain Sheet (A). Fix at four points.

Step 2 Position U Channel (C) on the top of the Sheeting. Fix at the corners and at every second rib. Repeat for the bottom Channel (C). **Step 3** Repeat Steps 1 and 2 for the second Side Wall which is identical to the first. Proceed to Step 3 Roof Panel Assembly.

3 Roof Panel Assembly



Roof Panel Components

• 2x Plain Sheets (A) 780 x 1800mm • 2x U Channel (C) 1510mm • 2x L Flashing (H) 1800mm

Step 1 Overlap one rib of each Sheet (A). Fix at four points. **Step 2** Position U Channel (C) on the top of the Sheeting.

Fix at the corners and at every second rib. Repeat for the bottom Channel (C). **Step 3** Position the L Flashing (H) on the sides of the Sheeting and fix at four points on each side.

Note: When installed, the overhanging bottom edge of the L Flashing (H) has EdgeSAFE finishing.

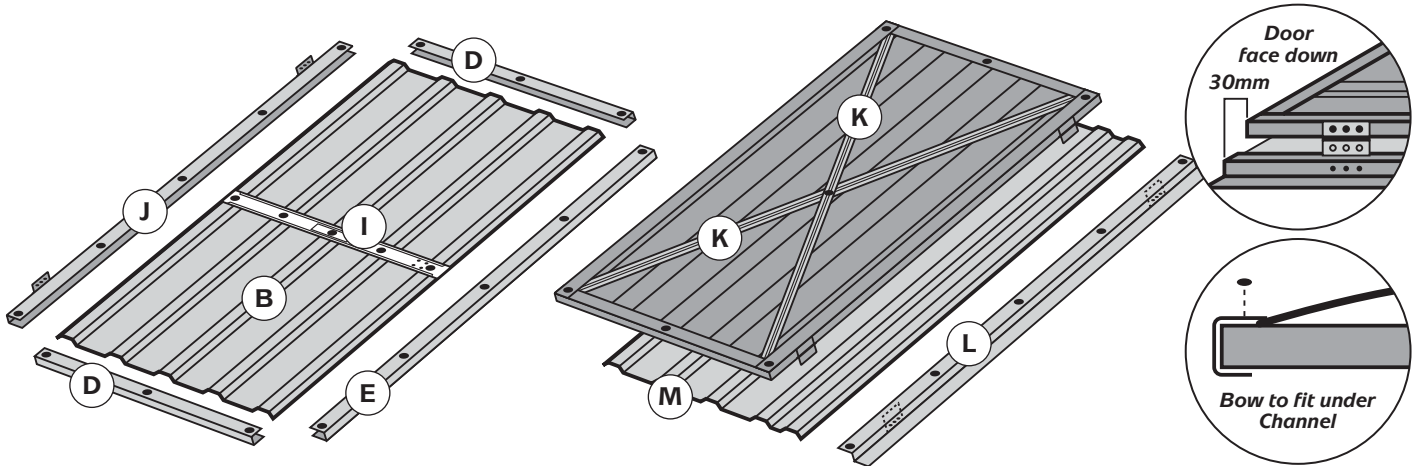
4 Door Assembly/Hanging the Door

(4A) Door Assembly Components • 1x Door Sheet (B) 780 x 1740mm • 2x U Channel (D) 780mm long
 • 1x U Channel (E) 1740mm long • 1x Door Strap (I) 780mm • 1x U Channel with Hinges (J) 1740mm

Step 1 Position U Channel (D) on top of the Door Sheet (B). Fix at three points. Repeat for bottom U Channel (D).

Step 2 Centre the Door Strap (I) and fix to all ribs. **Step 3** Position U Channel (E) on right side of Sheet and fix at five points.

Step 4 Position U Channel with pre attached Hinges (J) on left side of Sheet. Fix at five points.

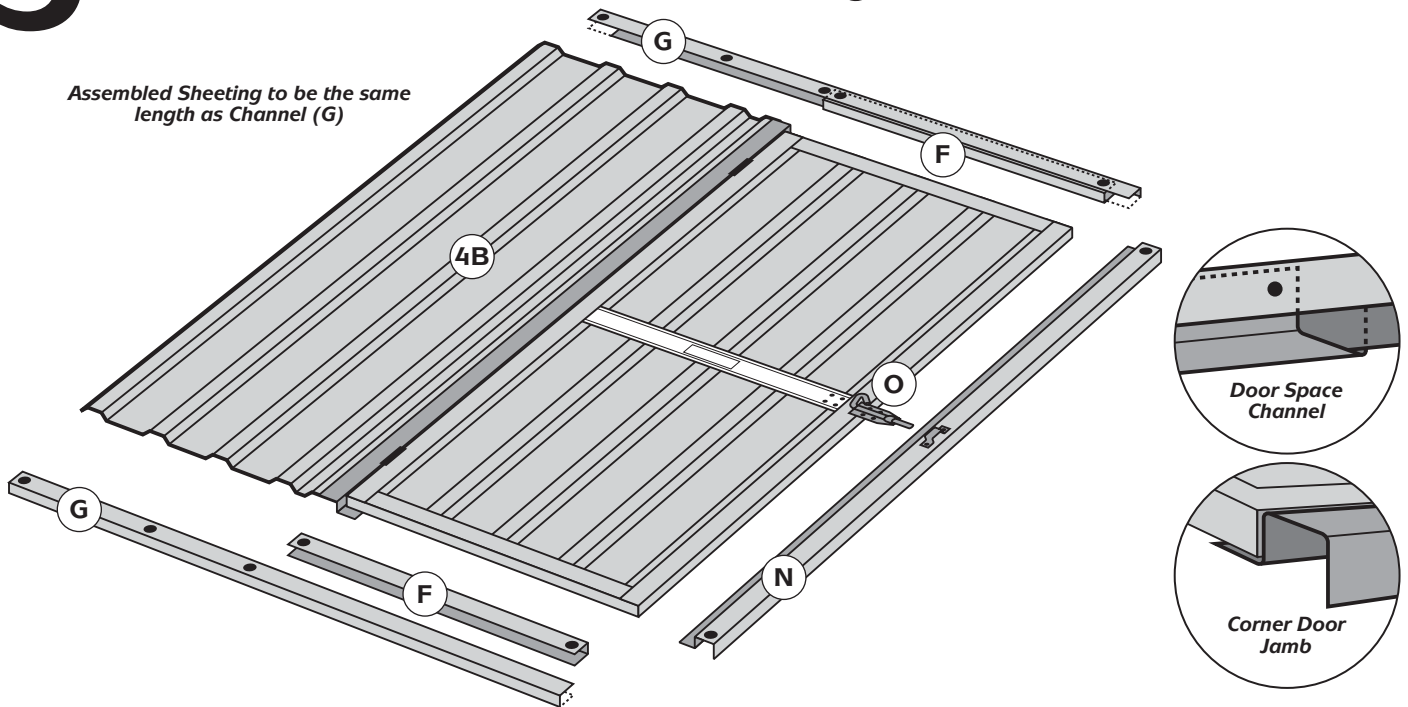


(4B) Hanging Door Components • 2x Door Brace (K) 1880mm • 1x Z Door Jamb (L) 1800mm
 • 1x Narrow Sheet (M) 780 x 1800mm • Plus Assembled Door (4A)

Step 1 Position Bracing (K) on back of Door, diagonally under Channel (bow if required). Fix at corners and diagonal centre, plus top and bottom of U Channel for extra strength. **Step 2** Fix Z Door Jamb (L) at five points to right side of Narrow Sheet (M) (EdgeSAFE to right). **Step 3** Lay Door face down 30mm from top and bottom of Narrow Sheet (M). Fix the Hinges through side of Z Door Jamb (L). The Door is now pre-hung for you to assemble your Front Panel.

5 Front Panel Assembly

Assembled Sheeting to be the same length as Channel (G)



Front Panel Components • 2x Cut-out Channel (G) 1510mm long • 2x Door Space Channel (F) 793mm long
 • 1x Corner Door Jamb (N) 1800mm long • 1x Padbolt & Hasp (O) • Plus the pre-hung Door (4B)

Step 1 Position Channel (G) (cut-out sections inside) on top of pre-hung Door (4B). Fix to Sheet at every second rib.

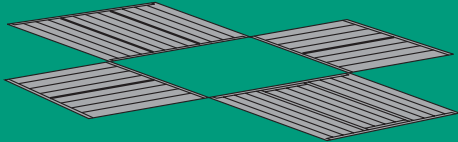
Repeat for bottom Channel (G) **Step 2** Position top Door Space Channel (F) over Channel (G) hard against the Z Door Jamb.

Fix at two points. Repeat for bottom Channel (F). **Step 3** Position the Corner Door Jamb (N) and fix at the corners.

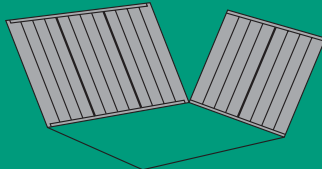
Step 4 Finally, fix the Padbolt and Hasp (O) to the Door.

5 STEP INSTALLATION - EasySHED

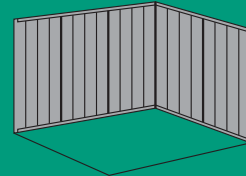
When installed, ribs in sheeting face outward for all panels.
If desired, 3.2mm pop rivets can be used instead of the self tapping screws provided.
Sheds installed without adequate anchoring to the ground or concrete could be extensively damaged in windy weather. Do not attempt to assemble shed in windy weather because of risk of damage to panels, or personal injury.



STEP 1 Layout the four wall panels in the correct order



STEP 2 Raise the Back Panel and one Side Wall



Fix at five points through the corner rib overlap

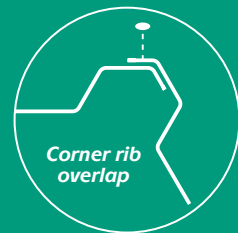
SIDE AND WALL ASSEMBLY

STEP 1 Layout the wall panels in correct order with ribbed side of the sheeting facing down.

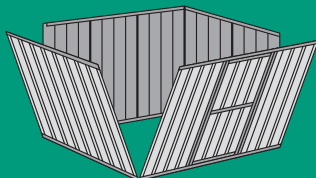
STEP 2 Raise the Back Panel and position one Side Wall so that the corner ribs overlap. Make sure that the top and bottom channel of the Side Wall Panel fully enter the cut-away sections in the channel of the Back Panel. It may be necessary to bend the cut-out channel end open a little to accept the Side Wall. Working from outside the shed, fix through the rib overlap at the shed corner, driving the self tapping screws firmly home (refer right). Fix at five points. Work from top to bottom.

STEP 3 Repeat Step 2 to complete the second Side Wall of the shed.

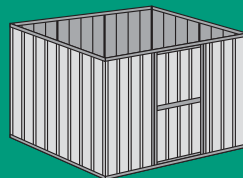
STEP 4 Bring the Front (door panel) up to Side Walls and fix at five points on each side. The walls are now securely fastened. Square the walls making sure that the diagonal measurements are equal.



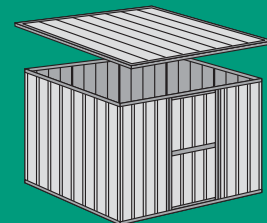
Corner rib overlap



STEP 3 Secure the second Side Wall and Front Panel



STEP 4 The four walls are now securely fastened



STEP 5 Position and fix the Roof Panel

FIXING THE ROOF

STEP 5 Position the Roof Panel over the shed walls so that the L flashing of the Roof and the top channel of the side Walls are flush on both sides. Adjust the overhang of the Roof at the front and back to suit. Working from the outside, fix through the L flashing of the Roof Panel into the top channel of the Side Walls at four points on each side. Do not stand on the Roof.

Finally, fix at 500mm intervals through the roof sheeting into the top channels of the Front and Back Panels ensuring that the channels are straight.

ADJUSTMENT OF THE DOOR BOLT

If the site is not quite level, as often happens, the padbolt may not slide easily into the hasp. This may be adjusted by levering up the wall and packing beneath it, either immediately below the bolt or immediately below the hinges. A trial will soon show which is required. This adjustment should be made before final anchoring of the Front Panel.

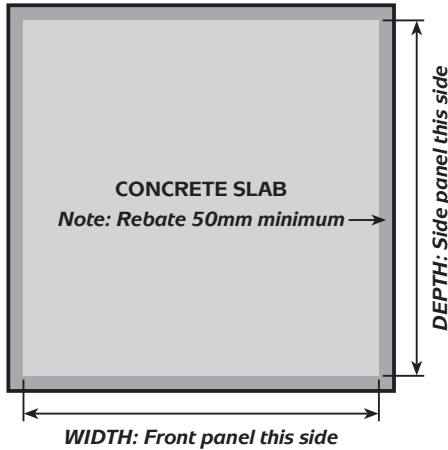
Warning: The Manufacturer accepts no responsibility for damage to person or property resulting from the inadequate anchoring of the shed whether installed by the Manufacturer, their Agents or by any other person.

Temporary & permanent anchoring

Please note: It is essential to firmly anchor your *EasySHED* as soon as assembly is complete, otherwise there is a risk of damage to panels, property or persons. The installation site for the shed must be reasonably level. Check that the shed is rectangular at floor level (the diagonal measurements should be equal).

Permanent anchoring on a Concrete Slab.

Rebated concrete slab dimensions and the recommended minimum number of anchors for your shed size are set out below. There are three recommended methods of laying concrete slabs for permanently fixing your *EasySHED*.



SHED SPECIFICATIONS
Width 1.50 metres (Front) Depth 1.50 metres (Side) Height 1.82 metres at the door

REBATED SLAB DIMENSIONS
Allow slight fall to the rear for water run-off
Width 1.46 metres Depth 1.46 metres Rebate 50mm minimum

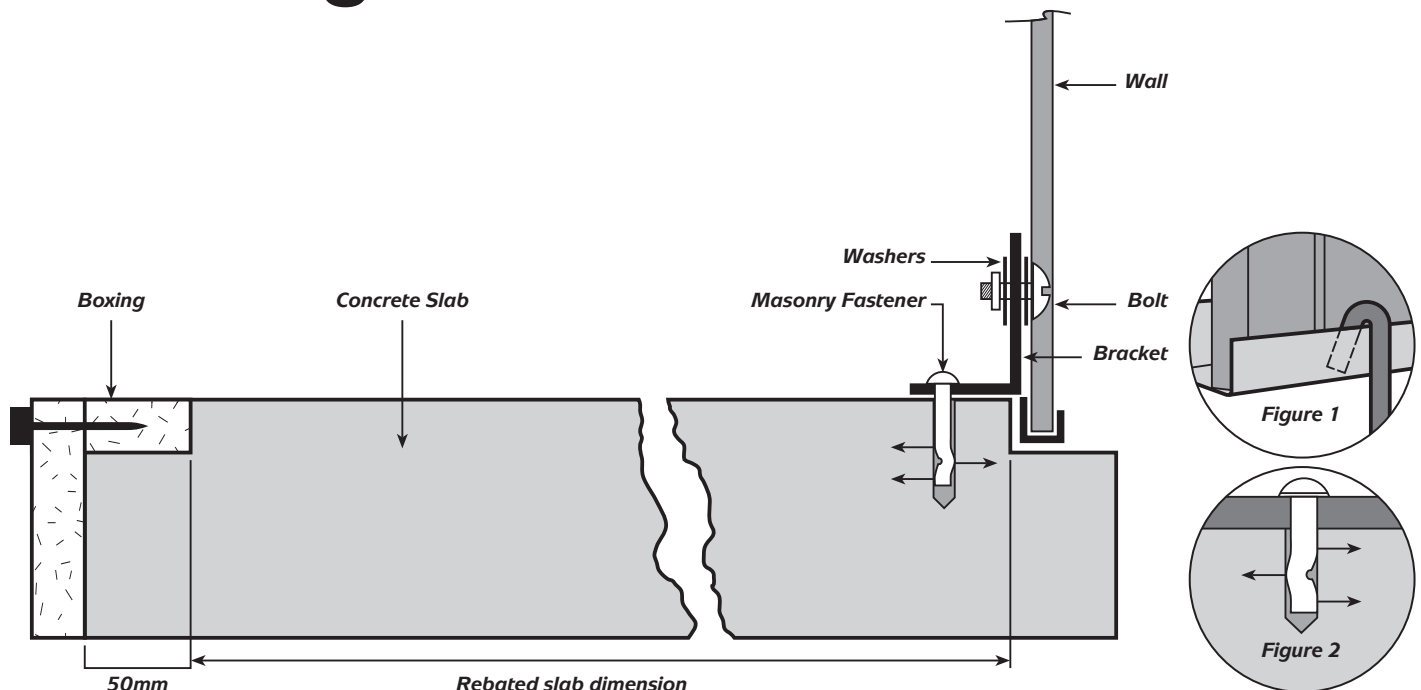
NUMBER OF ANCHORS
This Shed requires a minimum of eight temporary or permanent anchors.

Method A Garden sheds maybe anchored to the ground and a concrete slab poured inside. Galvanised surfaces should be protected from direct contact with wet concrete (which has a corrosive action) by taping a strip of plastic sheet up the wall for 150-200mm and laying it out from the wall for some distance.

Method B Sheds maybe anchored to an existing concrete slab using the Concrete Fixing Set (anchor brackets and bolts).

Method C A concrete slab with stepped or rebated edge will prevent rainwater running under the wall of the shed.

Anchoring Instructions



Anchor Peg Instructions: Step 1 Anchoring is provided by driving galvanised Anchor Pegs into the ground with the hook end fastened over the bottom channel of the walls from either the inside or outside of the shed, refer to Figure 1.

Concrete Fixing Set Instructions: Step 1 Using a 6.5mm diameter masonry drill, position the bracket and drill a 50mm deep (approximately) hole in the concrete. **Step 2** Drive the masonry anchor through the bracket into the anchor hole until the head is firmly seated against the bracket. Be sure that the anchor is driven to the required embedment depth, refer to Figure 2.

Step 3 Drill through bracket into wall of Shed with 6mm steel drill and secure with nut, bolt and washer supplied.

GUARANTEED FOR QUALITY.

EasySHED are manufactured for quality and strength, and warranted for a period of up to 15 years from the date of purchase.

Retain your proof of purchase to effect your warranty period. Contact the Manufacturer for warranty inclusions.

© COPYRIGHT. All Rights Reserved.

The content and concepts contained in this publication are protected by International and Australian Copyright Law.

Other than as provided for by Law, no part may be copied, reproduced or stored in any form using any method without the prior written permission of Durabuilt Products.

The Durabuilt logo, name, *EdgeSAFE*® *EasySHED*® and *PANELplus*® are registered trade marks of Durabuilt Products.

The information contained in this publication is intended to give a fair description of the products.

It does not constitute any offer by the manufacturer, nor does the manufacturer warrant or guarantee its accuracy or completeness in describing the various products.

Product specifications may change without notice.